



**EC type-examination certificate  
EG-Baumusterprüfbescheinigung  
Attestation d'examen CE de type**

**Certificate Number:** 08/208/ARV 034

**Notified Body:** TÜV CERT-Zertifizierungsstelle des TÜV Hannover/Sachsen-Anhalt e.V.  
Ident No. 0032

**Certificate Owner:** Blain Hydraulics GmbH  
Boellinger Hoefe  
D-74078 Heilbronn

**Date of Application:** 2000-03-20

**Manufacturer:** see Certificate Owner

**Type of Product:** Elevator Pipe Rupture Valve  
RSL 3/4 inch

**Test Laboratory:** Test Laboratory for Technical Systems

**Date and Number of Test Report:** 00/PM07500 dated 2000-04-04

**EC-Directive:** 95/16/EC

**Test Results:** The safety valve fulfilled the essential health and safety requirements of the directive for the area of usage stated on page 1 of the annex for the certificate.

**Date of Issue:** 2000-04-05

**TÜV CERT-Zertifizierungsstelle  
für Maschinen, Aufzugs- und Fördertechnik  
des TÜV Hannover/Sachsen-Anhalt e.V.**

**Head of the Certification Body**

A handwritten signature in blue ink, appearing to be 'Rosin', written over a horizontal line.

**(Rosin)**



**DAR-Reg.-No.: ZLS-ZE-136/97  
Ident. No. of the notified body:  
0032**

2000-04-05



**Annex to the EC type-examination certificate No.08/208/ARV 034,  
page 1 of 2**

**1. Required information**

- 1.1 Elevator Pipe Rupture Valve RSL 3/4 inch**
- 1.2 Range of usage: For Installation as stipulated in EN 81-2**
- 1.3 Flow range:  $Q_c = 5 - 100$  l/min**
- 1.4 Pressure range: 10 – 100 bar**
- 1.5 Viscosity range: 15 – 400 Cst**
- 1.6 Ambient temperature range: 0 – 65°C**

**2. Notice**

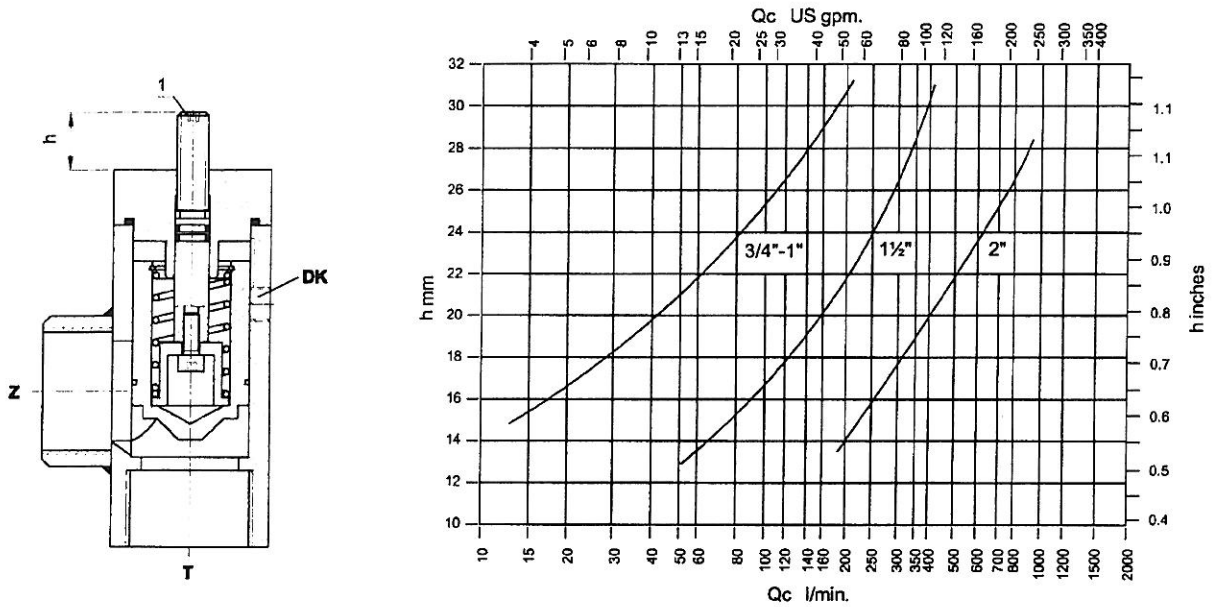
**This certificate can only be used in complete form, including all annexes.  
The operating instructions of the manufacturer must be followed.**

2000-04-05

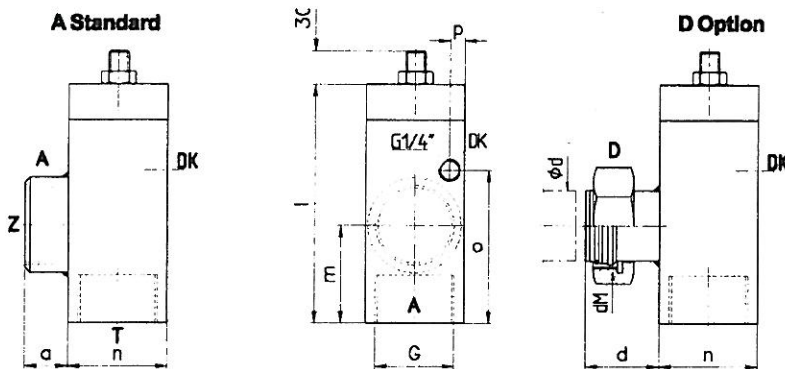


Annex to the EC type-examination certificate No.08/208/ARV 034,  
page 2 of 2

Set up Diagram of the RSL 3/4 inch (manufacturers data)



Dimensions of the RSL 3/4 inch (manufacturers data)



Other options same as R10  
Weitere Optionen wie beim R10  
Autres options comme par la R10  
Otras opciones como en la R10

RSL		RSL		A		D							DK	
Qc		P <sub>max.</sub>						l	m	n	o	p	Tube	kg
l/min.	US gpm	bar	psi	ø	a	dM	ød						⊕di	(AA)
5 - 100	1,3 - 26	100	1500	3/4"	18	M <sub>52 x 2</sub>	42/44	115	52	50	65	8	6	1,6
101 - 175	27 - 45	100	1500	1"	21	M <sub>52 x 2</sub>	42/44	115	52	50	65	8	6	1,6
176 - 425	46 - 110	100	1500	1 1/2"	26	M <sub>52 x 2</sub>	42/44	143	59	60	92	9	6	3,4
426 - 800	111 - 208	100	1500	2"	28	M <sub>65 x 2</sub>	58/44	174	65	80	108	11	8	8,1